



JVA Water Monitoring Solar System

PTE2800

Overview:

The JVA Water Monitoring Solar System is an all in one water monitoring solution in the JVA Agricultural Electric Fence product range. The water monitoring system has an integrated solar panel and battery as well as an integrated Wi-Fi Anywhere and Wi-Fi Gateway. Providing a Wi-Fi hotspot from cellular 4G coverage, the Wi-Fi Anywhere enables the Wi-Fi Gateway to have wireless communication to JVA Cloud Router. With the Cloud Router app the water level can be monitored remotely from anywhere in the world.

Features:

- Integrated Wi-Fi Anywhere™ ¹
- Integrated solar panel, 12V battery, solar regulator, solar bracket and water level sensor
- Compatible with any 4G network ²
- Smart LED battery status lights
- Connect up to 10 Wi-Fi enabled devices at once
- External SMA antenna included as standard ³
- 12Ah Long Life Lithium Battery (LiFePO4) included
- Weatherproof sealed plastic enclosure
- O-ring sealed case for ant and moisture protection

¹ Internet connection depends on network coverage

² Compatible with any Australian cellular operator, only data connection is required

³ Small external cellular antenna included (4G)



Specifications:

Connect	Wi-Fi Devices / IP Energizers	Up to 10 devices
Size	Height: Width: Depth:	385 mm 375 mm 300 mm
Weight	Product: Packed:	4.8 kg 6.5 kg
Range	Line of Sight	20m



Wi-Fi Anywhere



Package Contents:

- JVA Water Monitoring Solar System
- Integrated Wi-Fi gateway and Wi-Fi anywhere
- Integrated solar panel, 12V battery, solar regulator, solar bracket and water level sensor
- Instructions

Sun Hours Per Day:

The water monitoring solar unit requires a minimum of 3 sun hours per day to keep the internal 12V 12Ah LiFePO4 battery charged.

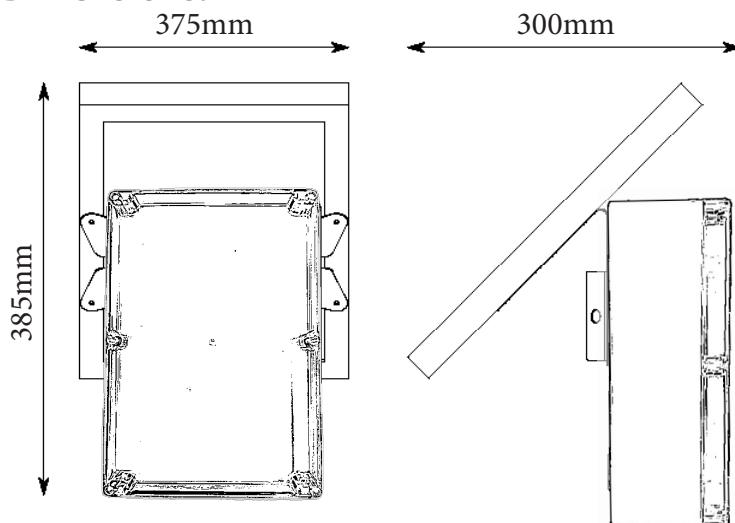
4 sun hours or greater is recommended.

Solar Panel Angle and direction:

The water monitoring unit must be mounted so the panel faces the equator (due north in Australasia, south in the northern hemisphere) and situated so as to receive no shade on the panel between 10am and 4pm.

The default angle for the solar panel is 45 degrees. This angle has been selected as the optimum angle to give the best year round performance in a range of geographical locations.

Dimensions:



Warranty:

3 Year Manufacturer Warranty (excluding lightning damage)⁴

For more information:

See the Website at: <http://www.jva-fence.com/WM>

⁴ Warranty for PTE2800 excluding Wi-Fi Enabled USB Dongle