



# Jumbo Energizer - 25J ZM2 Dual Power Monitor

PTE2402

## Overview:

The ZM2 contains Pakton's Patented power monitoring with Distant Fault Detection (DFD™). The Power monitor measures both the real and reactive components of the fence feed current. By doing so it can detect a fault at distances beyond 10km from the energizer. The ZM2 contains circuitry that allows it to power up to two fences. Each fence has its own Power monitor and optional fence return terminal for end of fence voltage monitoring.

## Benefits:

- Uses the new JVA Virtual Keypad
- Combined electric fence energizer and monitor
- Controllable from a JVA Power Probe Remote\*
- Two independent fence zones each with up to 17 Joules stored
- Measures both zones Feed, Return and Ground voltages
- Measures real and reactive Feed currents to distinguish real faults from capacitive fence currents
- Lightning protection on all fence connections
- Mains or 12V Battery powered (mains via supplied 24V DC plug pack)
- 1 Siren and 2 Strobe 12V outputs for standalone operation (switched 12V DC)
- ON/OFF switches
- \* JVA Power Probe Remote coming soon



## Specifications (to be added):

<b>Maximum Fence Voltage</b>		9.9 kV
<b>Size</b>	Height	300 mm
	Width	400 mm
	Depth	160 mm
<b>Weight</b>	Packed	11.05 kg

## Package Contents:

- JVA ZM2 Jumbo
- PTE0240 4 Line Touch Keypad
- 10m of lead out cable (N-N730S)
- Included 24V Power Supply

## Warranty:

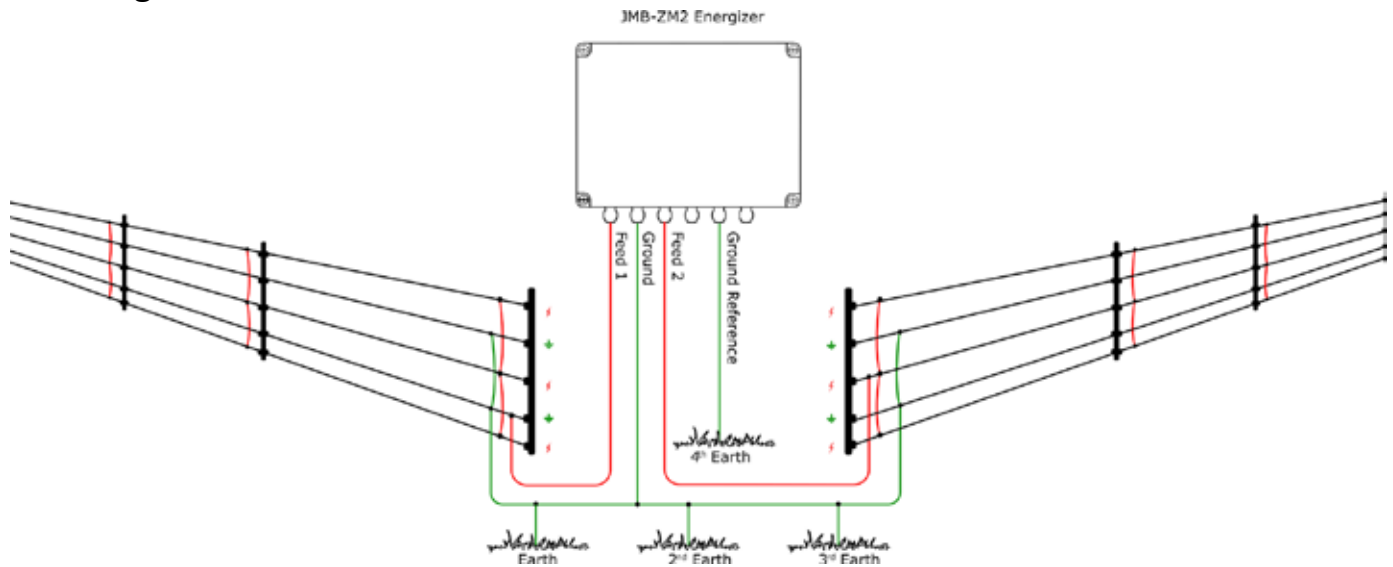
3 Year Manufacturer Warranty (excluding lightning damage)



## For more information:

See the Website at: <http://www.jva-fence.com.au>

## Block Diagram:



## Dimensions:

