



ELECTRIC FENCING

JUMBO ENERGISER MONITOR RANGE



2021

JUMBO ENERGISER MONITORS

Our most powerful and feature rich electric fence energiser; the Jumbo Mains Battery (JMB) series is designed for large permanent Electric Fencing applications. The JMB series combines Energiser and Monitor technologies, and produces up to 46J of stored energy. This is currently the world's largest battery powered IP Energiser™ and continues JVA's push for technical superiority in the area of Monitored Electric Fencing and IP Energisers®.

JVA's JMB Energisers feature built in Wi-Fi technology for easy connectivity, and improved monitoring and control capabilities. The range includes JVA's signature 'Power on Demand' technology to only use the power required for the fence line, and ramp up power when required. The Jumbo Range also contains a Ground (Earth) monitor which can alert if the earth system is not sufficient. Additionally, they measure feed, return and ground voltages, and incorporate Distant Fault Detection (DFD™) technology to continue the energisers fault detection beyond the 10km limit of other energisers.

The JMB series also sees the introduction of the JVA Virtual Keypad™ which enables the programming, control and monitoring of the Energiser from your Wi-Fi enabled smart device (phone, tablet or laptop). They can also be controlled and monitored with a wired JVA 4-Line Keypad (supplied with the unit), the JVA Cloud Router™ App or JVA Perimeter Patrol software.

Features:

- Power and monitor up to two fence zones
- Built in Wi-Fi
- Controlled and monitored through
 - JVA Virtual Keypad™
 - Cloud Router® *
 - Perimeter Patrol *
- Mains or battery powered, or mains with battery backup
- Power on demand
- Measures feed, return and ground voltages
- Ground monitor and alert
- Distant Fault Detection (DFD™)

* Additional hardware required

Model	Item #	Power Supply	Monitored Zones	Sectors	Stored Energy	Output Energy	Monitoring Type
JMB25ZM1	PTE2404	12/24V	1	0	36J	25J	Start of Fence/End of Fence
JMB25ZM2	PTE2405	12/24V	2	0	2 x 18J	2 x 12.5J	Start of Fence/End of Fence
JMB25ZM50	PTE2403	12/24V	1	Up to 50	36J	25J	Sectorised Loop Monitoring
JMB32ZM1	PTE2401	12/24V	1	0	46J	32J	Start of Fence/End of Fence
JMB32ZM2	PTE2402	12/24V	2	0	2 x 23J	2 x 16J	Start of Fence/End of Fence
JMB32ZM50	PTE2400	12/24V	1	Up to 50	46J	32J	Sectorised Loop Monitoring

The Virtual Keypad (VKP) is an interface that can be accessed by any Wi-Fi enabled device that can browse to a web page, i.e. phone, tablet, laptop etc. Once connected, the devices web browser is used to visit a secure offline webpage where the Keypad is used to monitor, control or setup the JVA Jumbo Mains Battery Energiser Range.



Features:

- Energiser overview at a glance
- One touch arm/disarm
- Intuitive programming
- On screen sectoring of ZM50 models*
- User-friendly 'web' interface
- No Internet connection is required
- Compatible with popular Internet browsers such as Chrome, Firefox, Safari and Edge
- Wi-Fi connection is password protected, but user configurable
- Control more than one zone at a time
- Easy configuration of voltages, alarm set-points, inputs, outputs and other options
- The display and configuration pages are tailored to the Jumbo model
- Detailed alarm and fault information is clearly displayed in text
- Sectoring the ZM50 is made easy with the VKP
- ZM50 sectors can be saved onto the Wi-Fi module as a backup

* PTE0063 Sector Splitters recommended

By incorporating power monitoring and our patented Distant Fault Detection (DFD™) technology, the JMBxZM1 can be configured to monitor long fences without the need to create loops or install return wires to connect the end of fence voltage back to the energiser - this is also known as 'start of fence' monitoring (Fig 1.). For those who wish to use traditional 'end of fence monitoring'; these models also have an optional fence return terminal (Fig. 2, Pg 11).

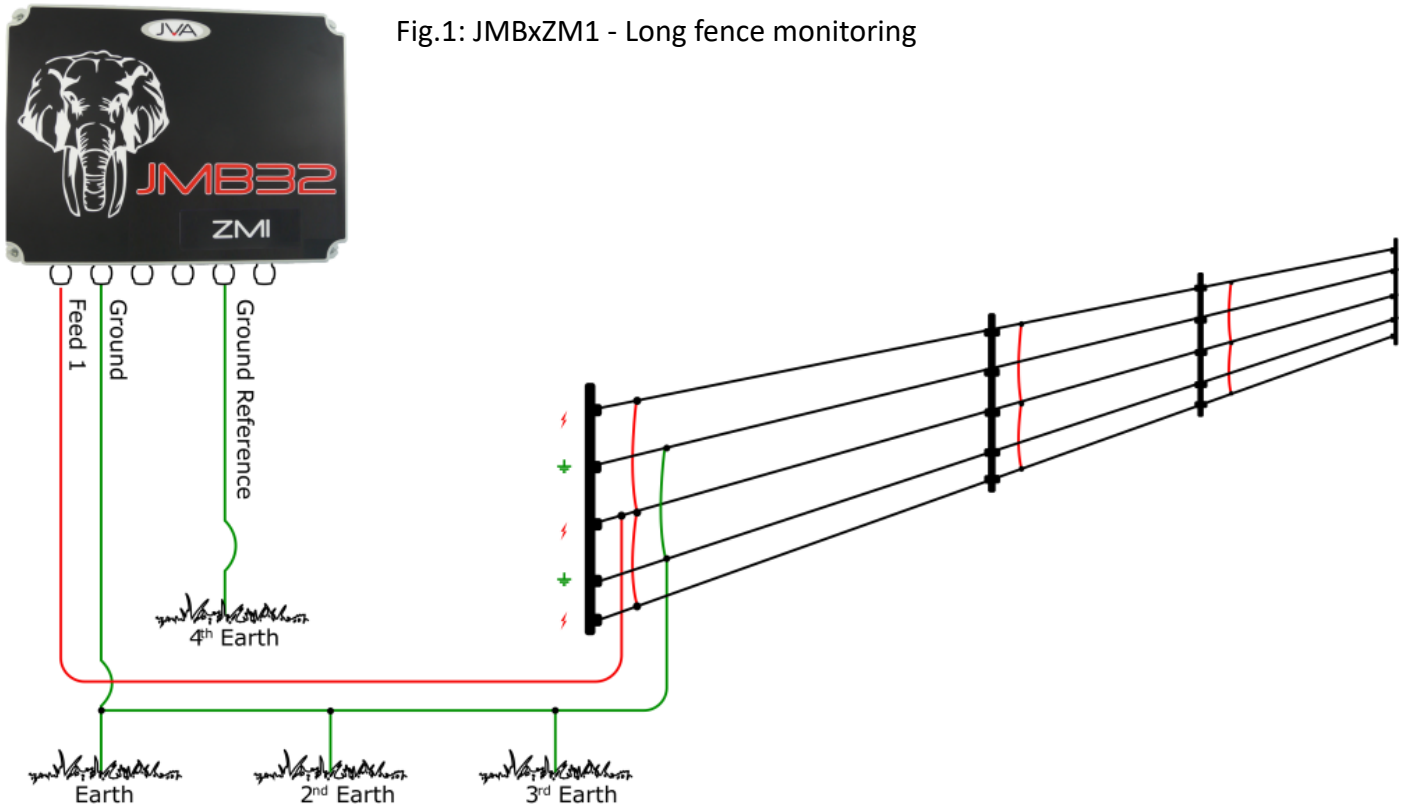


Fig.1: JMBxZM1 - Long fence monitoring

Features:

- Combined electric fence energiser and monitor
- Power monitor
- Measures feed, return and ground voltages
- Ground monitor and alert
- Virtual Keypad via Wi-Fi enabled device
- Distant Fault Detection (DFD™) technology
- Up to 46 Joules stored energy
- Mains or 12V Battery powered
- Lightning protection on all fence connections
- No mains inverter required for battery or solar power
- Power on demand
- Multiple control and management options
- Built in 1A back up battery charger
- 1 Siren and 2 strobe 12V outputs for security installations
- Programmable relays
- Switched 12V DC On/Off switch

Distant Fault Detection (DFD™) and power monitoring are also at the forefront of the JMBxZM2. While the ZM1 models will power a single longer fence, the ZM2 models contain circuitry that allows it to power two separate fences. Each fence has its own Power Monitor and optional fence return terminal for end of fence voltage monitoring (Fig. 4, Pg 11).

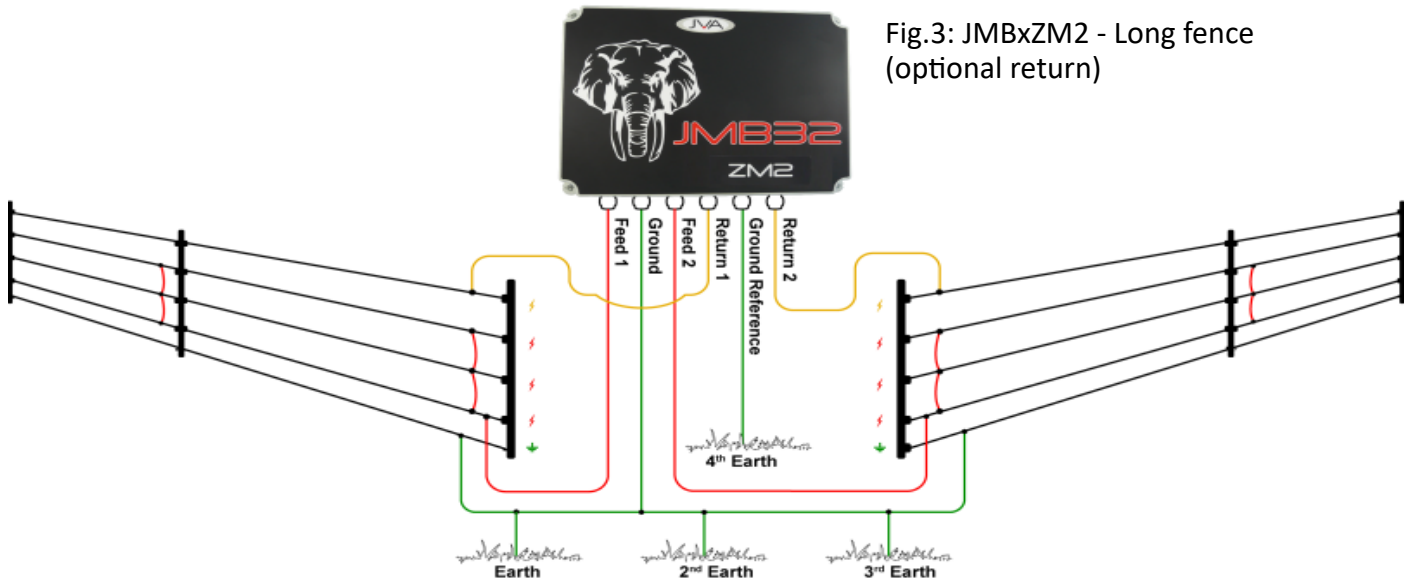


Fig.3: JMBxZM2 - Long fence (optional return)

Features:

- 2 independent fence zones
- Combined electric fence energiser and monitor
- Power monitor
- Measures feed, return and ground voltages
- Ground monitor and alert
- Virtual Keypad via Wi-Fi enabled device
- Distant Fault Detection (DFD™) technology
- Up to 46 Joules stored energy
- Mains or 12V Battery powered
- Lightning protection on all fence connections
- No mains inverter required for battery or solar power
- Power on demand
- Multiple control and management options
- Built in 1A back up battery charger
- 1 Siren and 2 strobe 12V outputs for security installations
- Programmable relays
- Switched 12V DC On/Off switch

The ZM50 models feature our patented Distant Fault Detection™ and Loop Monitor technologies. This means that the JMBxZM50 units can power a fence from both ends, in a loop of one or more live wires around a property (Fig.5), or out along a fence and back (Fig. 6, Pg 11). While previous fence loop monitors suffered from a range limitation of approximately 10km of fence (or 30km of wire), DFD™ has greatly increased this monitoring capacity.

The use of JVA's sector dividers when installing the Jumbo ZM50 range, means that sectors can be accurately defined and the units can pinpoint the position of a fault to within one sector in fifty. Thus greatly reducing maintenance time and costs.

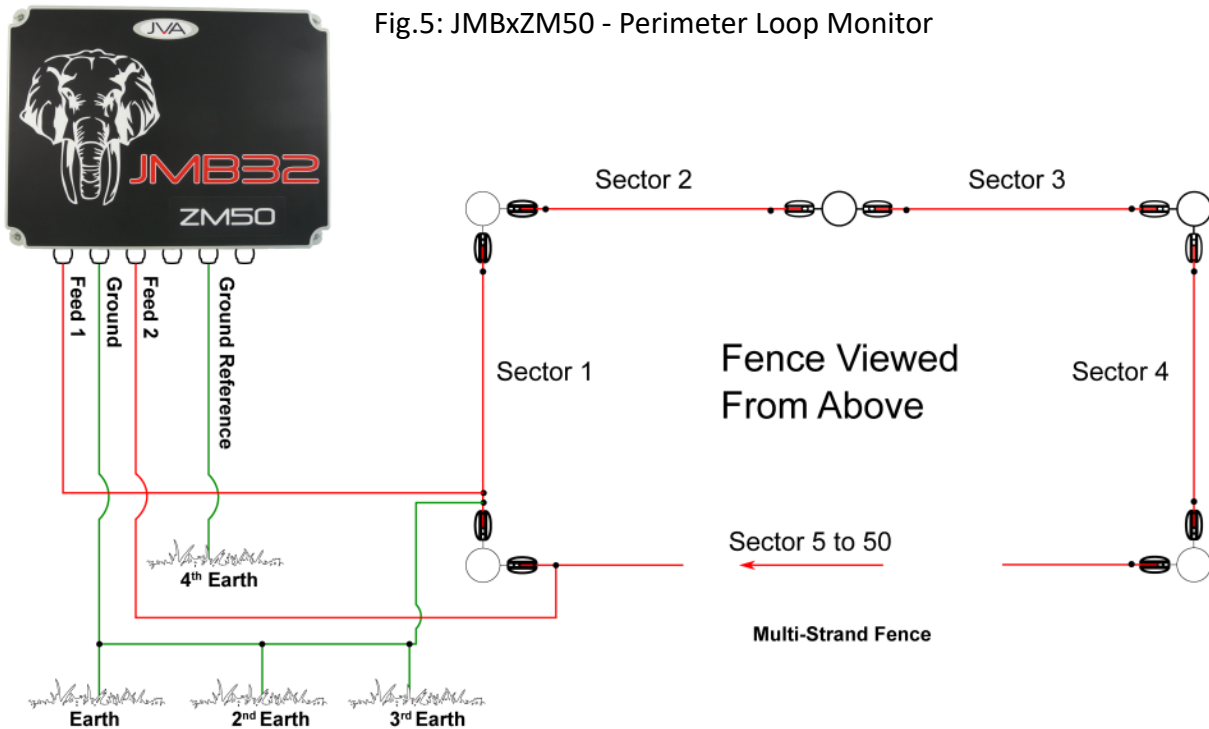


Fig.5: JMBxZM50 - Perimeter Loop Monitor

Features:

- Up to 50 fence sectors
- Combined electric fence energiser and monitor
- Power monitor
- Measures feed and ground voltages
- Ground monitor and alert
- Virtual Keypad via Wi-Fi enabled device
- Distant Fault Detection (DFD™) technology
- Up to 46 Joules stored energy
- Mains or 12V Battery powered
- Lightning protection on all fence connections
- No mains inverter required for battery or solar power
- Power on demand
- Multiple control and management options
- Built in 1A back up battery charger
- 1 Siren and 2 strobe 12V outputs for security installations
- Programmable relays
- Switched 12V DC On/Off switch

The Jumbo Energiser Range can be combined with a number of optional accessories to enhance the user interface, and extend the monitoring and control capabilities.

Fence Station is an all in one solution for those looking for the next generation in Livestock Management and Exclusion Fencing. Boasting solar power, remote control and monitoring, and 34 Joules of stored energy, JVA's FS25-2 reduces maintenance time and costs.

Requirements:

- Any Australian 3G/4G cellular signal
 - Cellular carrier fees

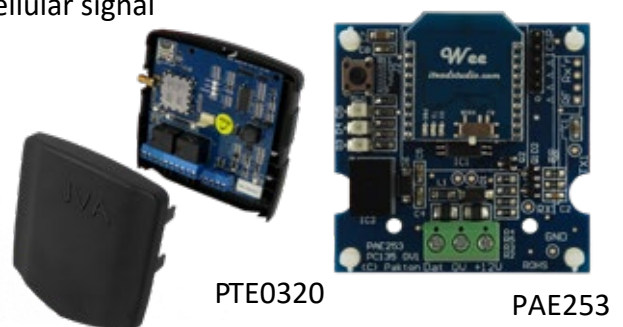
More information can be found on page 8.

Cloud Router™ is JVA's farm automation platform. Providing control and monitoring in the palm of your hand, through real time monitoring on PC, Tablet, or mobile phone.

Requirements:

- PAE253 - Wi-Fi Gateway and local Wi-Fi network, or
- PTE0320 - Cellular Gateway and any Australian 3G/4G cellular signal
 - Cellular carrier fees
- Cloud Router User subscription

More information can be found on page 9.



Perimeter Patrol software is a PC based visual representation of the electric fence, that provides the user with the most extensive integration, control and monitoring capabilities.

Requirements:

- PTE0248 - Wi-Fi GPIO with a wired connection to the Local Area Network; or
- PTE0248 - Wi-Fi GPIO with a wi-fi connection to the Local Area Network
- User subscription may be required

More information can be found on page 10.



FENCE STATION

A monitored electric fence reduces maintenance by reporting whenever there is a fault and by allowing you to check the fence from wherever you are. The FS25-2 (Fence Station) combines all our great technology in one secure, waterproof enclosure; providing an all-in-one, solar powered fence energiser and monitor solution for up to 20km of boundary fence or a lot more internal fencing.

Incorporating JVA's Cloud Router™ system with our JVA Jumbo Energiser Monitors; the Fence Station can power and monitor up to two separate sections of fence, detect faults and notify you directly to your mobile phone or PC. Get peace of mind that your fence is working day and night, with the latest technology from JVA.

Features:

- Featuring our powerful JMB25ZM2 Energiser and Monitor
- Power up to two 10km sections of boundary fence
- Control in the palm of your hand with Cloud Router™
- Waterproof cabinet
- 370W solar panel with mounting bracket
- 20A MPPT Solar regulator
- Cellular Gateway works with any Australian mobile network
- Optional Wi-Fi Gateway connects multiple Wi-Fi devices to 3G/4G network
- Pre-wired with solar and battery leads



Model	Item #	Output	Cellular
FS25-2	PTE2500A	Peak Voltage: 9kV Output Energy: 25J Stored Energy: 34J	Sim: Micro Network: Any Australian 3G/4G

Cloud Router™ was designed and created by JVA as a farm automation platform. For a small, monthly fee (\$2.50) it allows subscribers to monitor and control their Electric Fence Energisers. Subscribers log in using their personal user name and password to configure their 'site'. They can then turn the fence on or off, view the status and receive real time alerts. It can be accessed from any PC or smart phone, and the site owner can also add three free users with various levels of control.

Note, to connect to the Cloud Router, the Jumbo requires either:

- PAE253 - W-Fi Gateway and Wi-Fi access within 30metres of unit; or
- PTE0320 - Cellular Gateway and local cell phone coverage.

Features:

- At a glance site and device status
- Real-time notifications by SMS and Email
- Customisable site sharing with four user levels
- Event Log monitors site history
- Clean, crisp user interface



Password protected control via the Cloud Router Web App (Mobile friendly)

Package	Billed	View Site & Devices	Create & Control Sites	Configure & Share Sites	View Site Logs	Receive Notifications	Set Up Users
Free	Free	Y	N	N	N	N	N
Pro	Monthly	Y	Y	Y	Y	Y	Y

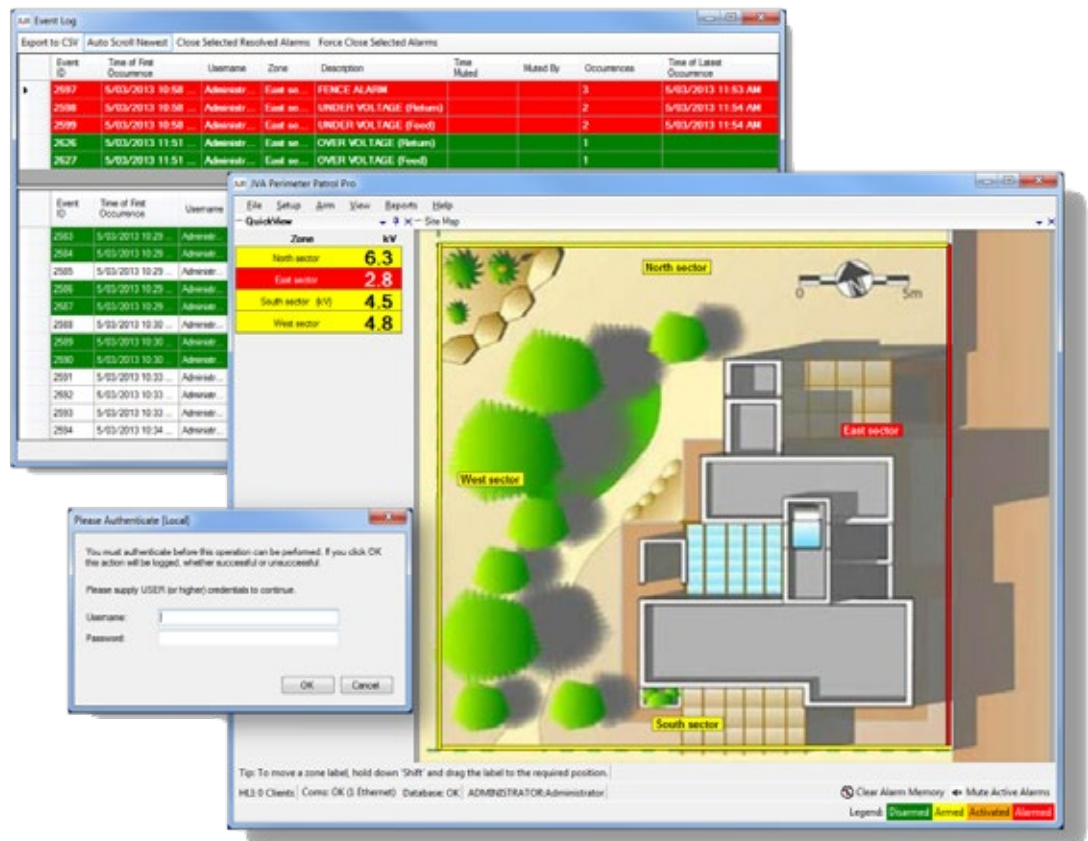
PERIMETER PATROL

JVA's Perimeter Patrol software provides a visual representation of the electric fence, where the user can quickly view the status and voltages of the fence and devices. Perimeter Patrol will also alert and email the user when the fences, gates or other devices need attention. It enables the user to remotely arm, or disarm the fence manually, or according to a custom schedule.

Within Perimeter Patrol, icons representing the energised zones are placed over an image of the site. Status and voltage information from the various zones throughout the site are updated in real time from a remote central location. The system can then be configured to generate an audible alarm, or email the user.

Note, to connect to Perimeter Patrol, the Jumbo requires Perimeter Patrol Software (user subscription may be required) and a PTE0248 Wi-Fi GPIO with either:

- a wired connection to the Local Area Network; or
- a wi-fi connection to the Local Area Network



Features:

- Flexible and intuitive user interface
- User Authentication
- Remote Access
- Multiple Site Monitoring
- Event logging/Archives
- High Level Interface API
- Cloud Backup
- Multiple user access levels
- Quick View Screen
- Control on schedule
- Global site arm/disarm
- Individual zone arm/disarm
- Export and print event logs

ALTERNATIVE INSTALLATION METHODS

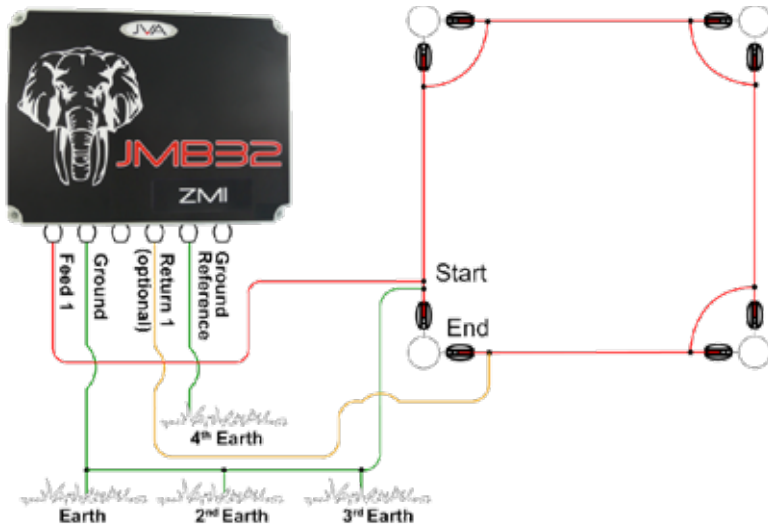


Fig.2: JMBxZM2 - End of Fence (Perimeter Return)

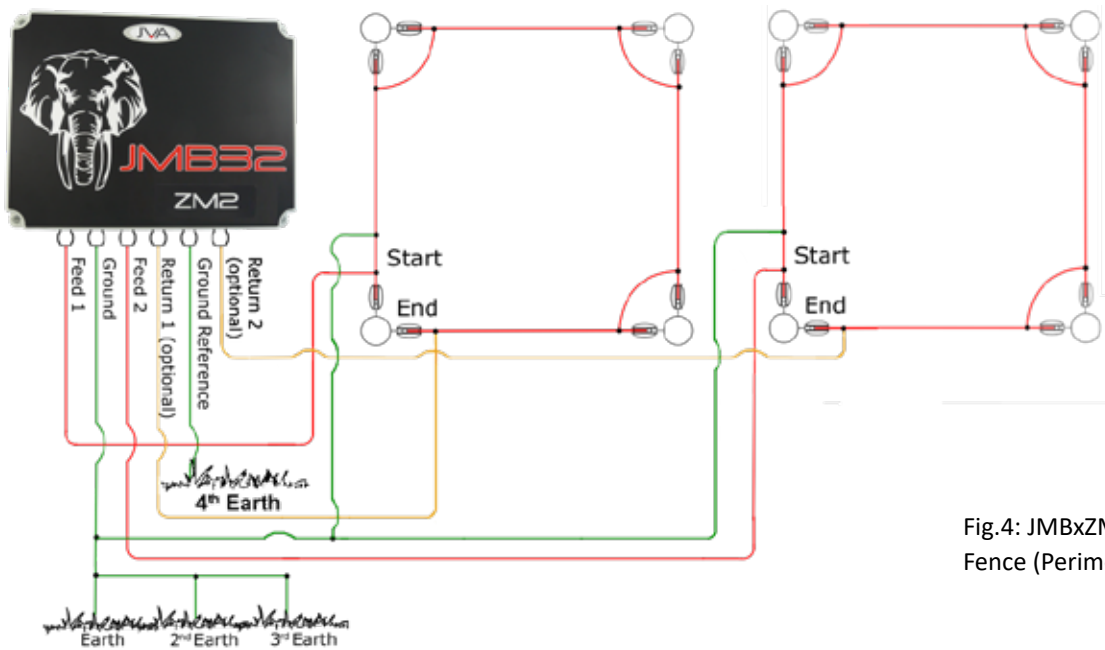


Fig.4: JMBxZM2 - End of Fence (Perimeter Return)

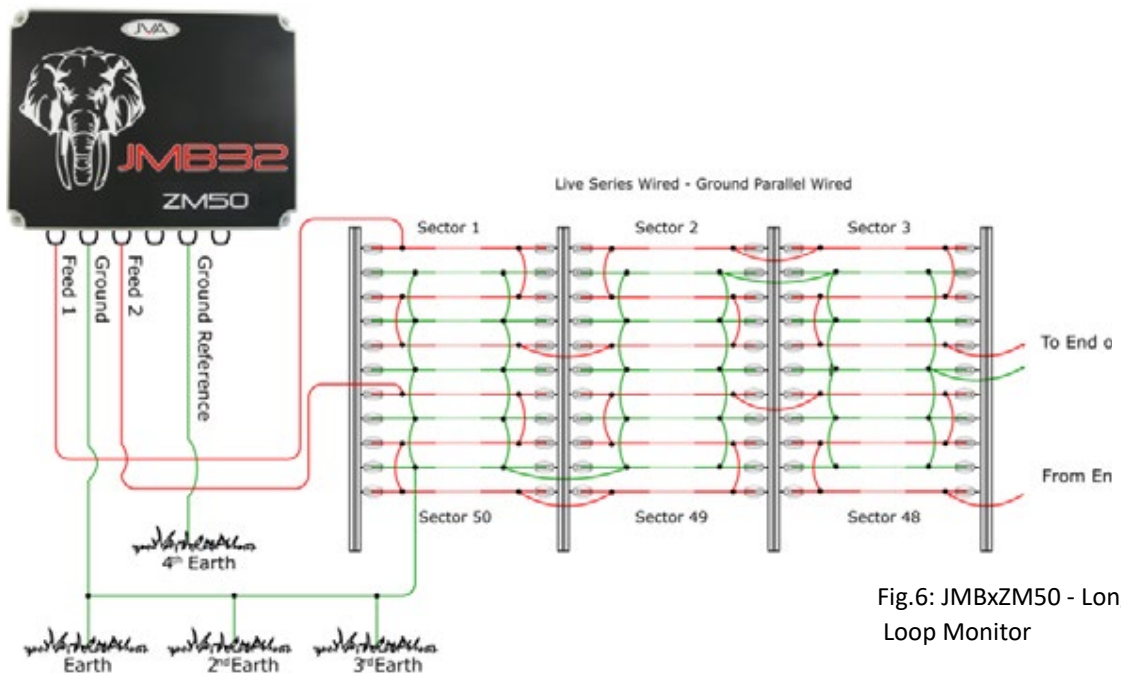
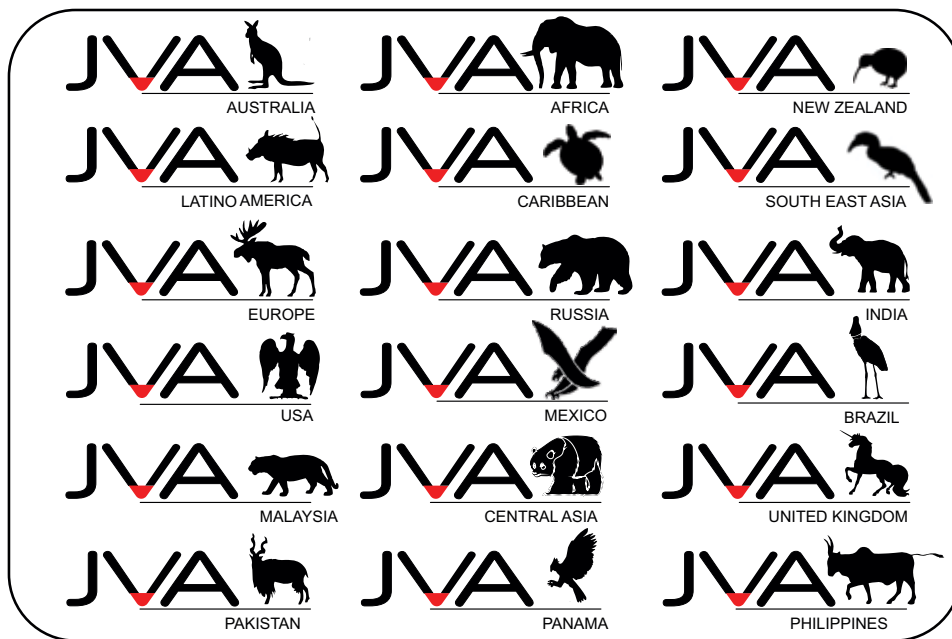


Fig.6: JMBxZM50 - Long Fence Loop Monitor



ELECTRIC FENCING

QUALITY AGRICULTURAL ELECTRIC FENCING PRODUCTS



JVA is manufactured and distributed by Pakton Group Pty Ltd
Trading as JVA Technologies - ABN 93123853654

Head Office Australia

Phone (primary): 0499 000 455 or +61 499 000 455
Phone (secondary): 07 3103 0582 or +61 7 3103 0582
E-mail: sales@jva-fence.com.au
Website: www.jva-fence.com.au

Address: 1 Helium Street
Narangba
Queensland
4504
Australia

South Africa

Phone: 011 397 3507
E-mail: swilliamson@jva-fence.com.au
Postal Address: PO Box 13898
Cascades 3202
Website: www.jva.security.com

Address: 219 Jet Park Road
Aerostar Business Park
Johannesburg
South Africa

Although the information presented in this product catalogue is believed to be accurate and reliable, no responsibility for inaccuracies can be assumed by JVA.
Performance data is typical only and variations owing to installation methods are normal.

www.jva-fence.com.au